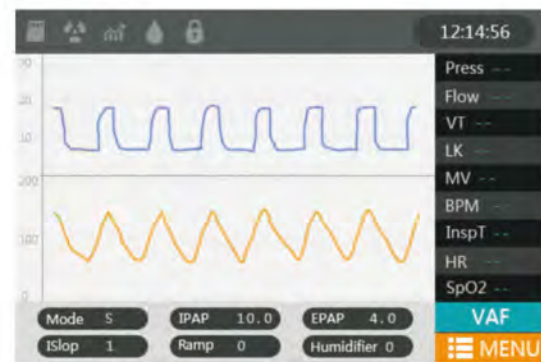
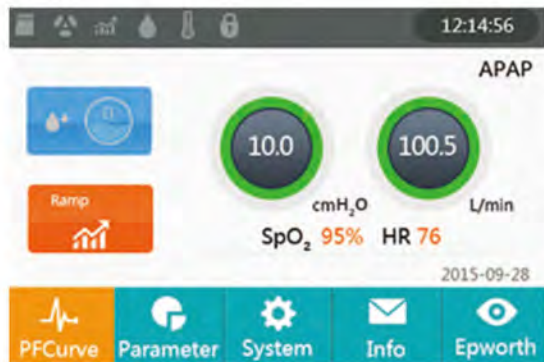


Type	CPAP	Auto-CPAP	Auto Bi-level
Model	C-20C	C-20A	B-25A
Respiratory mode	CPAP	CPAP, APAP	CPAP, S, AutoB
Parameters			
Pressure	4-20cmH ₂ O	4-20cmH ₂ O	4-20cmH ₂ O
Islop	-	-	1-6 Level
95th Pressure titration	-	Available	Available
Max PS	-	-	3-8cmH ₂ O
Max Press	-	4-20cmH ₂ O	-
Min Press	-	4-20cmH ₂ O	-
IPAP	-	-	4-25cmH ₂ O
EPAP	-	-	4-23cmH ₂ O
Max IPAP	-	-	4-25cmH ₂ O
Min EPAP	-	-	4-23cmH ₂ O
Auto-On	On/Off	On/Off	On/Off
Auto-Off	On/Off	On/Off	On/Off
Humidifier	0-5levs	0-5levs	0-5levs
Auto-air compensation	Available	Available	Available
Auto-adjustment altitude	Available	Available	Available
Noise Level	Less than 30dBA	Less than 30dBA	Less than 30dBA
Configuration			
Screen	3.5"Colorful LCD	3.5"Colorful LCD	3.5"Colorful LCD
SpO2 Kit	Optional	Optional	Optional
Data Storage	TF Card	TF Card	TF Card
Dimension	280*200*112mm	280*200*112mm	280*200*112mm
Weight	2.2Kg	2.2Kg	2.2Kg



ResPlus
 CPAP/APAP series
 For Sleep Apnoea Therapy



3.5" Colorful LCD screen

Provide vivid information in one page and more legibility; User interface design to enable easier operation and fast-setup.

Real-time data monitoring

Effective therapy is ensured by displaying important data in real time, like pressure, flow volume, etc.

SpO2 supervisor

SpO2 Kit are optional to manage SpO2 data in real time.

Lower dBA

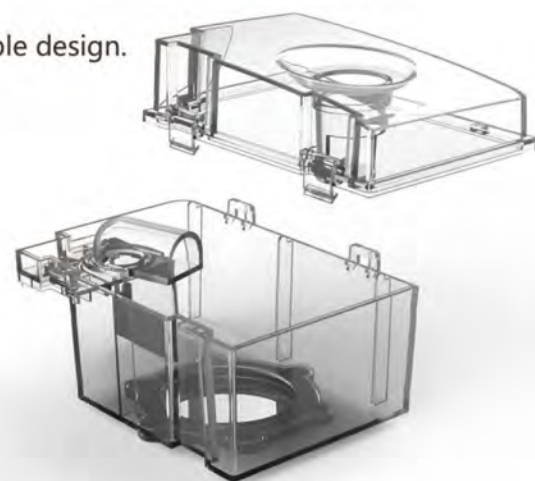
Less noise achieved by high-quality blower.

Heating Humidifier

5 Temperature levels for humidifier are available; Designed to prevent back flow and be detachable to clean easily.

Separable design for host and humidifier

Flexible choices for therapy place are allowed by separable design.



ResPlus C-20C MODE: CPAP

Pressure relief technology

Reduce the pressure when exhale is happening to maximize your comfort during the therapy.

Air leak compensation

Accurately detect the air leakage and timely respond to it.

Pressure compensation

Automatically suit to different pressure situations.

ResPlus C-20A MODE: APAP, CPAP

Accurate identification

Imported sensor collaborates with innovative algorithm to identify various respiratory events precisely and to make quick response.

Auto-adjusting pressure

Automatically adjust the pressure to optimal level in accordance with relative respiratory events.

Pressure titration

Recommend the best suitable therapeutic pressure in consistent with patient's actual needs.

A variety of Alerts

Safer use is ensured by alerts, including power failure, air leakage, humifailure, ect.

ResPlus B-25A MODE: CPAP, S, AutoB (Customized & Intelligent)

Auto Bilevel

Auto-adjustment of IPAP and EPAP in accordance with patient's respiratory events.

Auto-sensibility

Isens and Esens are automatically adopted to individual's treatment.

